

SQF 1.2-3 Rp 1 1/4 cpl. Grundfos pump 96834838




Thank you for your interest in our products. Please contact us for more information, or visit our website

<https://www.lenntech.com/grundfos/SQFFAM/96834838/SQF-1-2-3.html>

info@lenntech.com

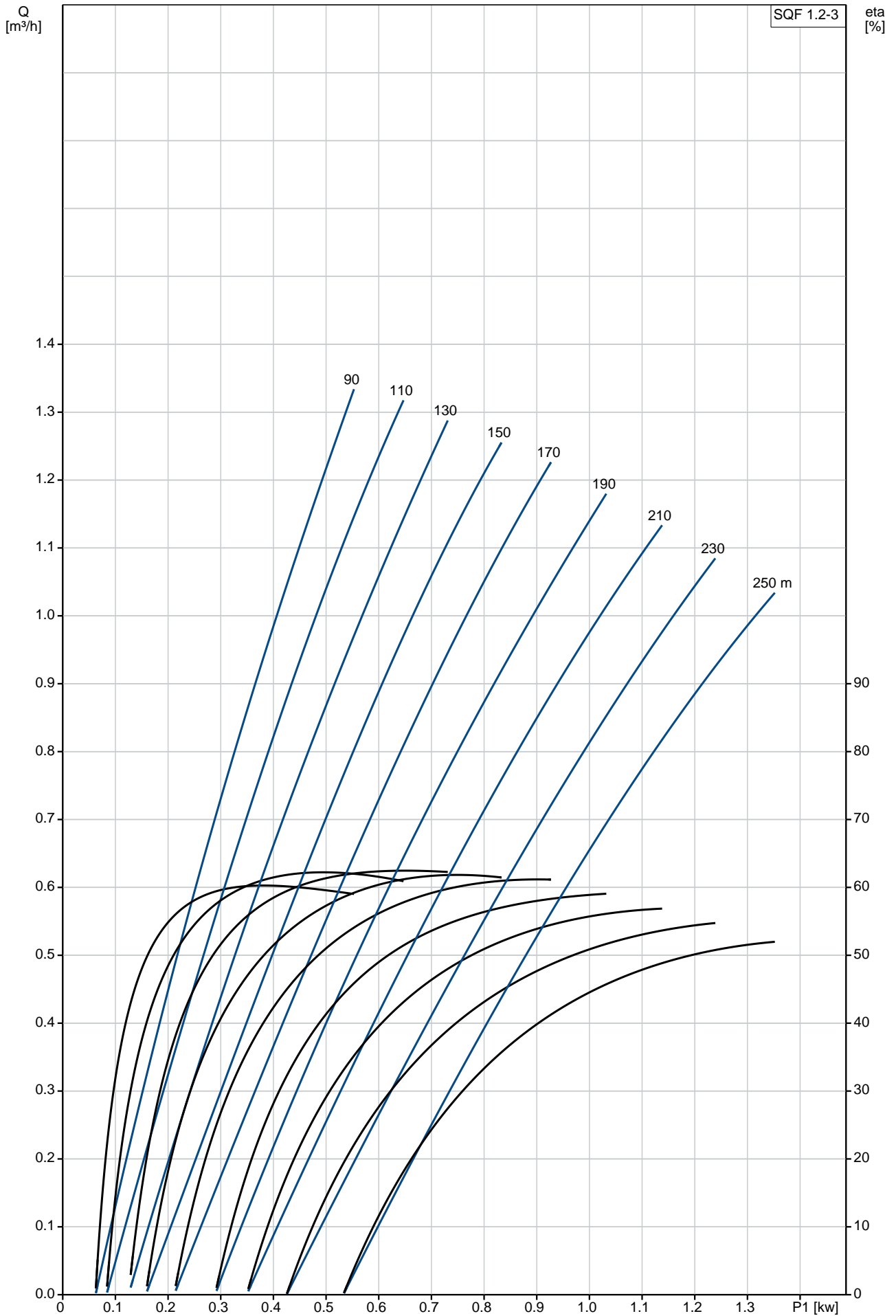
tel. +31 152 610 900

fax. +31 152 616 289

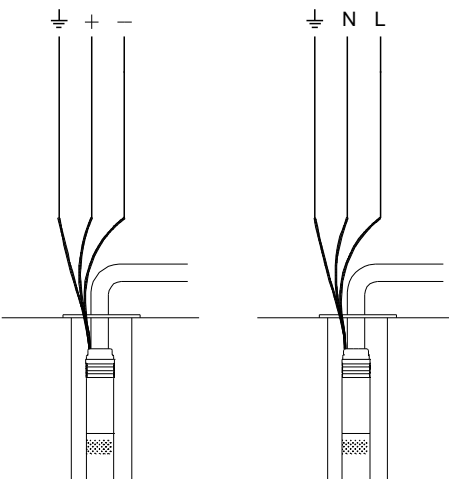
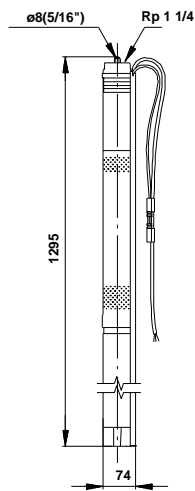
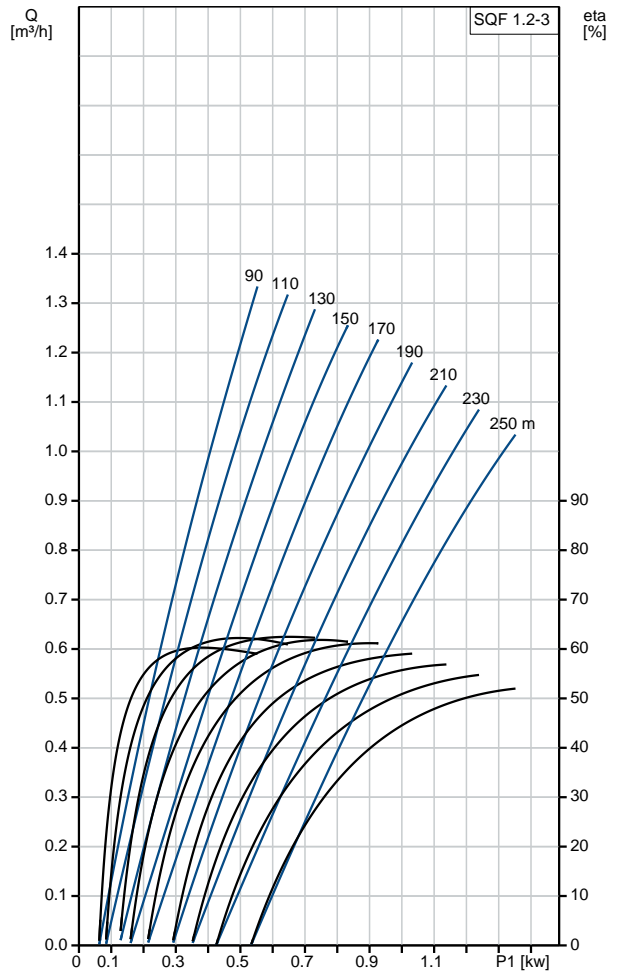
Position	Qty.	Description
	1	<p data-bbox="322 163 459 194">SQF 1.2-3</p>  <p data-bbox="715 595 1193 622">Note! Product picture may differ from actual product</p> <p data-bbox="322 629 1136 685">Product No.: On request The 3" SQFlex pump with helical rotor is for high heads and low flow rates.</p> <p data-bbox="322 714 1407 770">The SQFlex system is a reliable water supply system based on renewable energy sources, such as solar and wind energy.</p> <p data-bbox="322 777 1369 833">Thanks to its flexible energy supply and performance, the SQFlex system can be combined and adapted to meet any need on the installation site.</p> <p data-bbox="322 862 1426 918">The SQFlex system has a wide voltage range, built-in maximum power point tracking (MPPT) as well as dry-running, voltage and overload protection.</p> <p data-bbox="322 981 405 1012">Liquid:</p> <p data-bbox="322 1012 817 1128">Pumped liquid: Water Maximum liquid temperature: 40 °C Liquid temperature during operation: 20 °C Density: 998.2 kg/m³</p> <p data-bbox="322 1158 443 1189">Technical:</p> <p data-bbox="322 1189 839 1245">Approvals on motor nameplate: CE,RCM,EAC Approvals on pump nameplate: CE,EAC</p> <p data-bbox="322 1274 437 1305">Materials:</p> <p data-bbox="322 1305 887 1485">Pump: Stainless steel DIN W.-Nr. 1.4301 AISI 304 Impeller: Stainless steel DIN W.-Nr. 1.4301 AISI 304</p> <p data-bbox="322 1514 459 1545">Installation:</p> <p data-bbox="322 1545 778 1630">Maximum ambient pressure: 15 bar Pump outlet: Rp 1 1/4 Minimum borehole diameter: 76 mm</p> <p data-bbox="322 1659 497 1691">Electrical data:</p> <p data-bbox="322 1691 839 2078">Motor type: MSF3 Power input - P1: 1.4 kW Rated voltage ac: 1 x 90-240 V Rated voltage dc: 30-300 V Rated current: 8.4 A Power factor: 1.0 Rated speed: 500-3600 rpm Start. method: direct-on-line Enclosure class (IEC 34-5): IP68 Insulation class (IEC 85): F Length of cable: 2 m Udc: 300 V 30 V</p>

Position	Qty.	Description
		<p>Others: Minimum efficiency index, MEI : -- Net weight: 9.81 kg Gross weight: 10.9 kg Shipping volume: 0.024 m³</p>

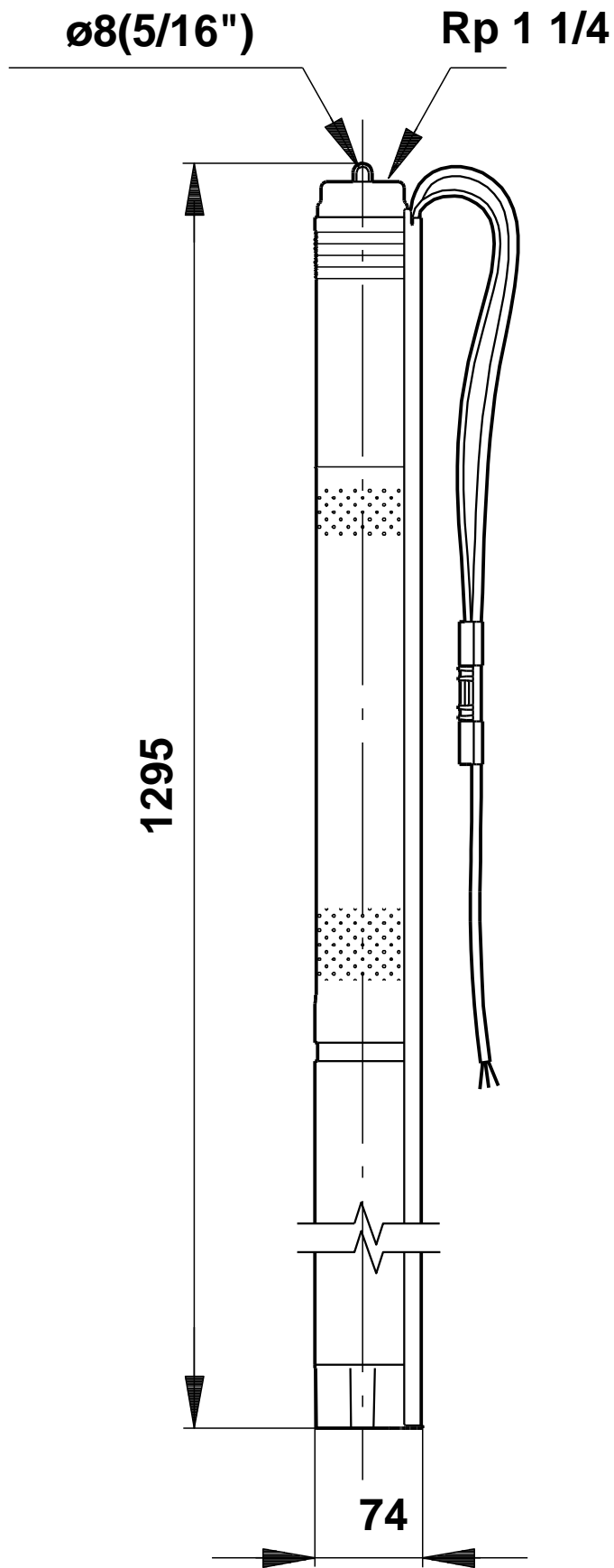
On request SQF 1.2-3 50 Hz



Description	Value
General information:	
Product name:	SQF 1.2-3
Product No:	On request
EAN number:	On request
Technical:	
Stages:	3
Approvals on motor nameplate:	CE,RCM,EAC
Approvals on pump nameplate:	CE,EAC
Pump No:	96834835
Valve:	pump with built-in non-return valve
Materials:	
Pump:	Stainless steel DIN W.-Nr. 1.4301 AISI 304
Impeller:	Stainless steel DIN W.-Nr. 1.4301 AISI 304
Rotor:	Stainless steel DIN W.-Nr. 1.4301 AISI 304
Stator:	Stainless steel / EPDM DIN W.-Nr. 1.4301 AISI 304
Installation:	
Maximum ambient pressure:	15 bar
Pump outlet:	Rp 1 1/4
Minimum borehole diameter:	76 mm
Liquid:	
Pumped liquid:	Water
Maximum liquid temperature:	40 °C
Liquid temperature during operation:	20 °C
Density:	998.2 kg/m ³
Electrical data:	
Motor type:	MSF3
Power input - P1:	1.4 kW
Rated voltage ac:	1 x 90-240 V
Rated voltage dc:	30-300 V
Rated current:	8.4 A
Power factor:	1.0
Rated speed:	500-3600 rpm
Start. method:	direct-on-line
Enclosure class (IEC 34-5):	IP68
Insulation class (IEC 85):	F
Motor protec:	Y
Thermal protec:	internal
Length of cable:	2 m
Motor No:	96275336
Udc:	300 V 30 V
Others:	
Minimum efficiency index, MEI :	---
Net weight:	9.81 kg
Gross weight:	10.9 kg
Shipping volume:	0.024 m ³
Sales region:	Europe/South America/Japan/Australia

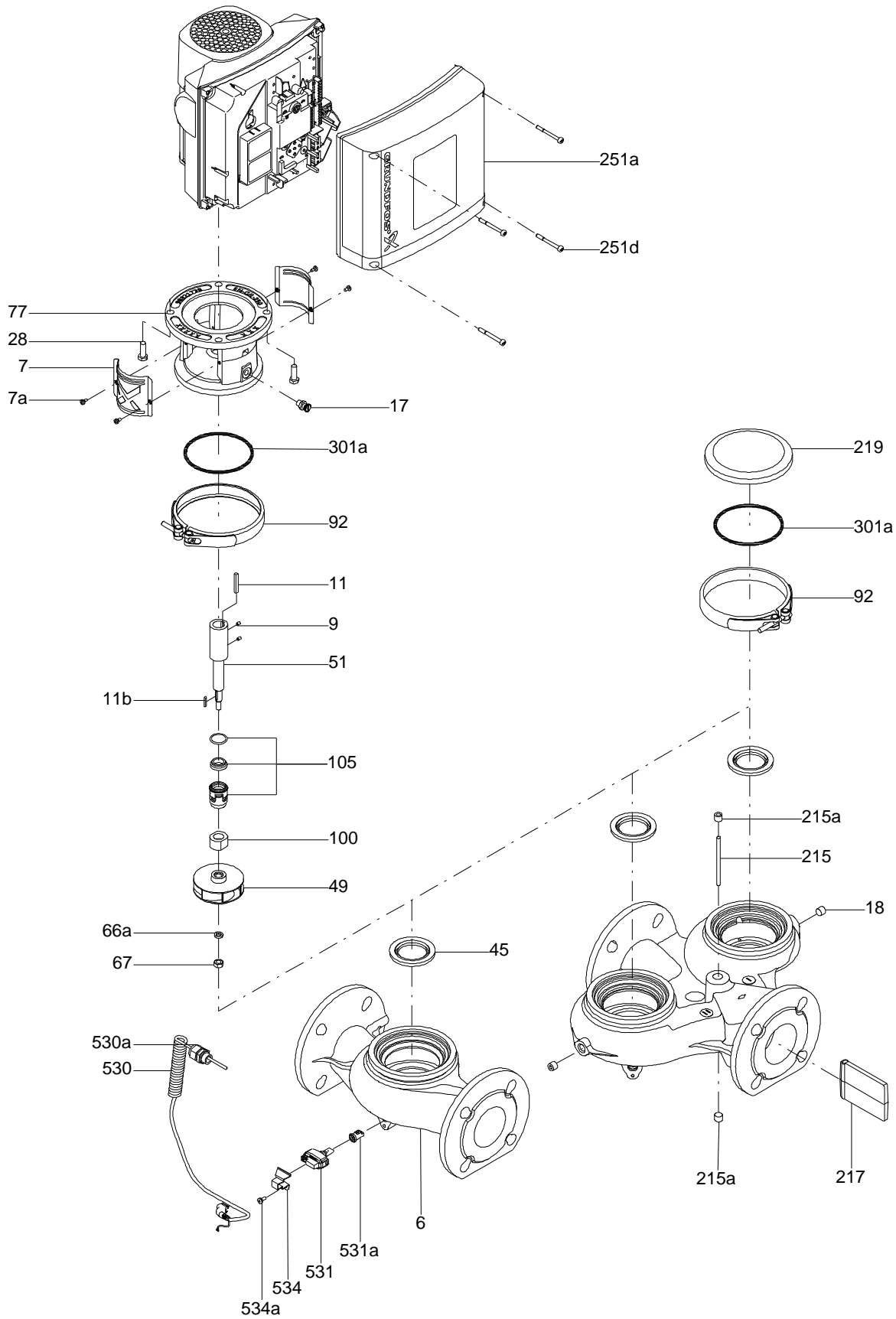


On request SQF 1.2-3 50 Hz

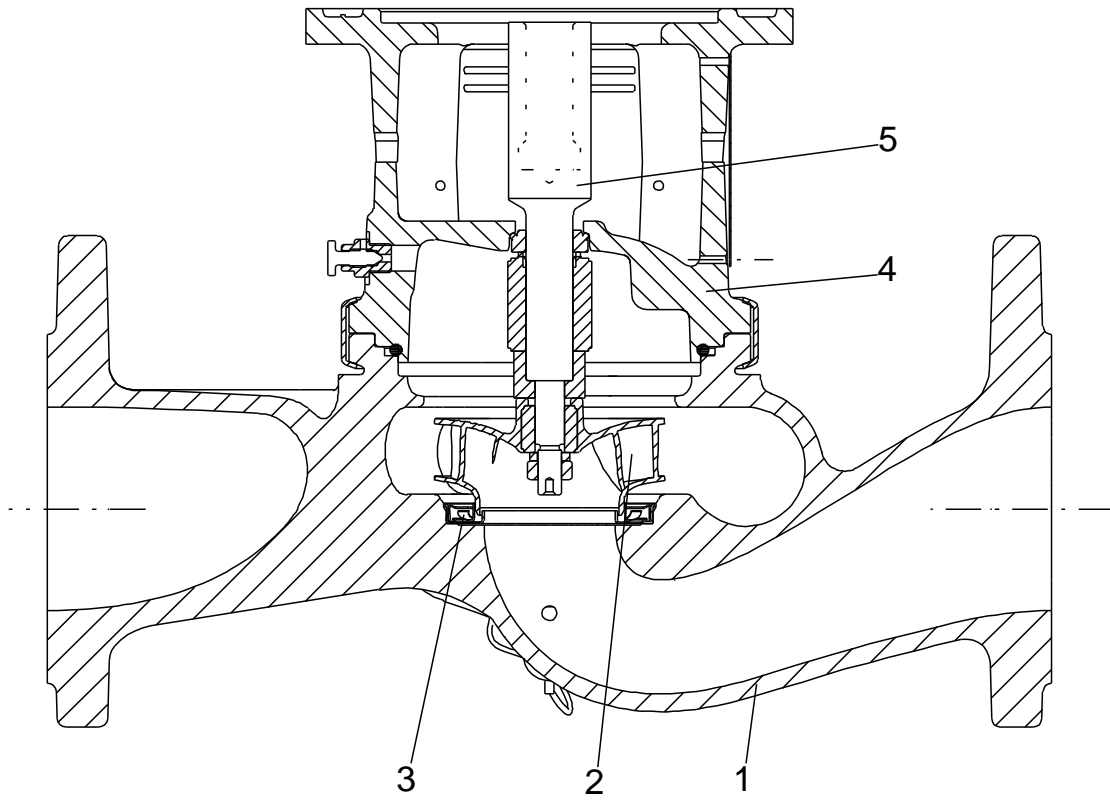


Note! All units are in [mm] unless others are stated.
Disclaimer: This simplified dimensional drawing does not show all details.

Exploded view

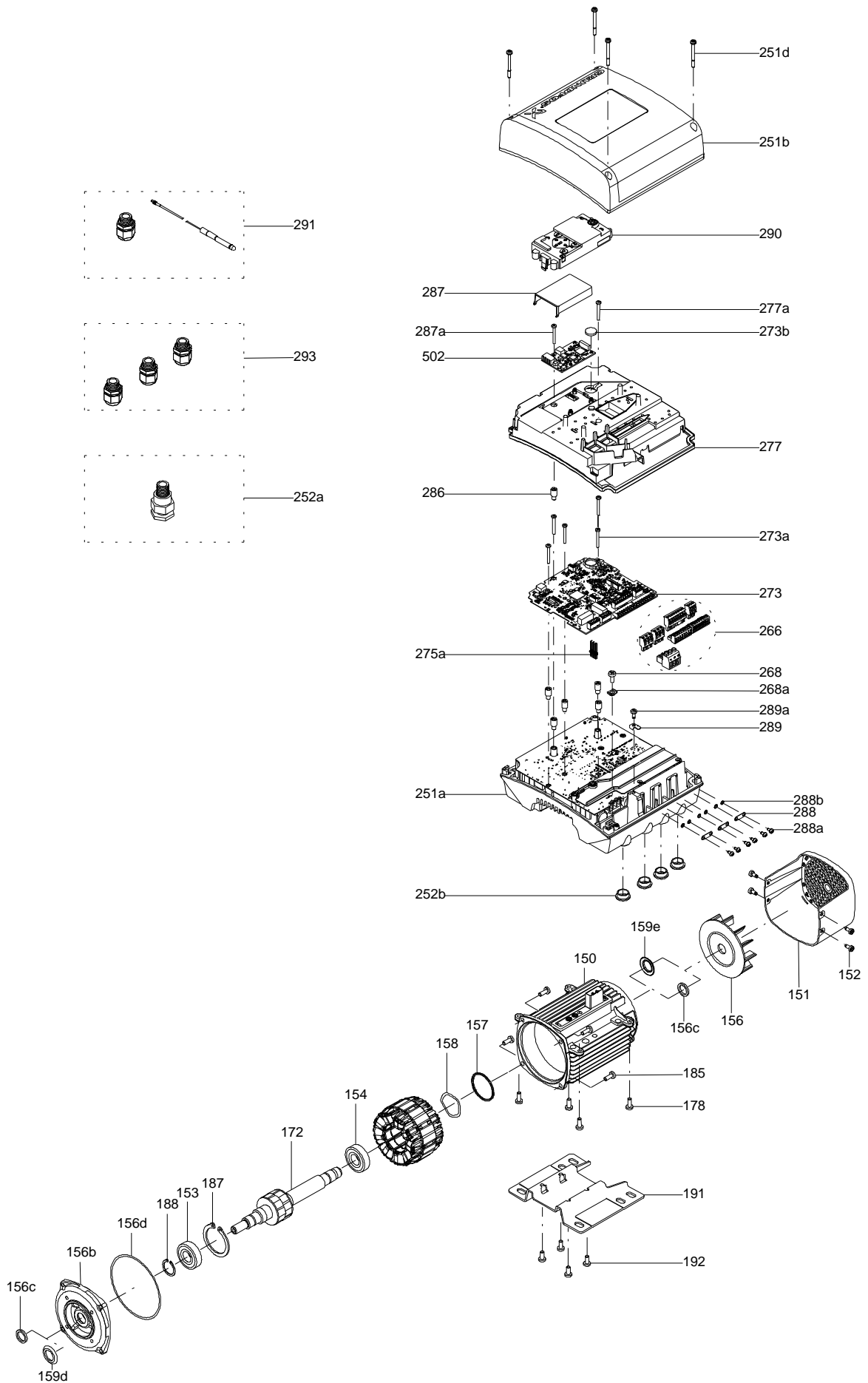


Sectional drawing (TM058200 for TPE2,TPE3)



TM058200

Exploded view (TM057026 for MGE model H/I)



Parts list SQF 1.2-3, Product No. On request
Valid from 1.5.2009 (0918)

Pos	Description	Annotation	Données de classification	Référence	Quantité	Unité
+	Pump w/o motor				1	pcs
+	Motor				1	pcs
18a	Pan head tapping screw				2	pcs

Disclaimer: The information about the Grundfos pump in this document may be outdated.

Data may be subject to alterations without further notice.

Please contact us to verify the data above is still accurate/up-to-date.

All information is copyright Grundfos.



info@lenntech.com

<https://www.lenntech.com>

tel. +31 152 610 900

fax. +31 152 616 289